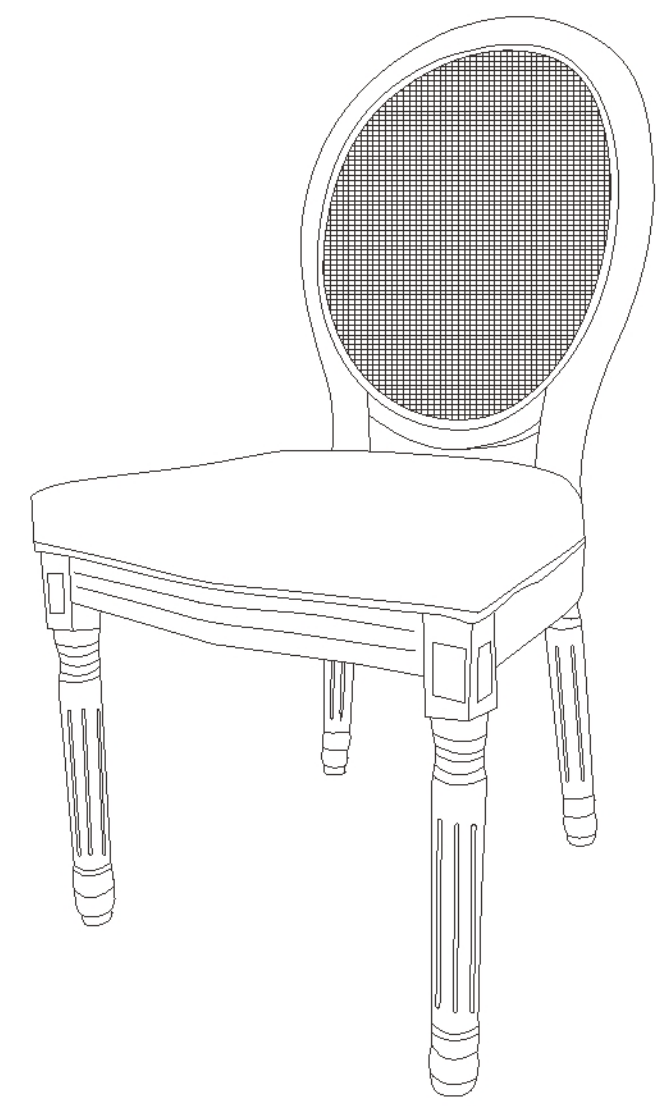
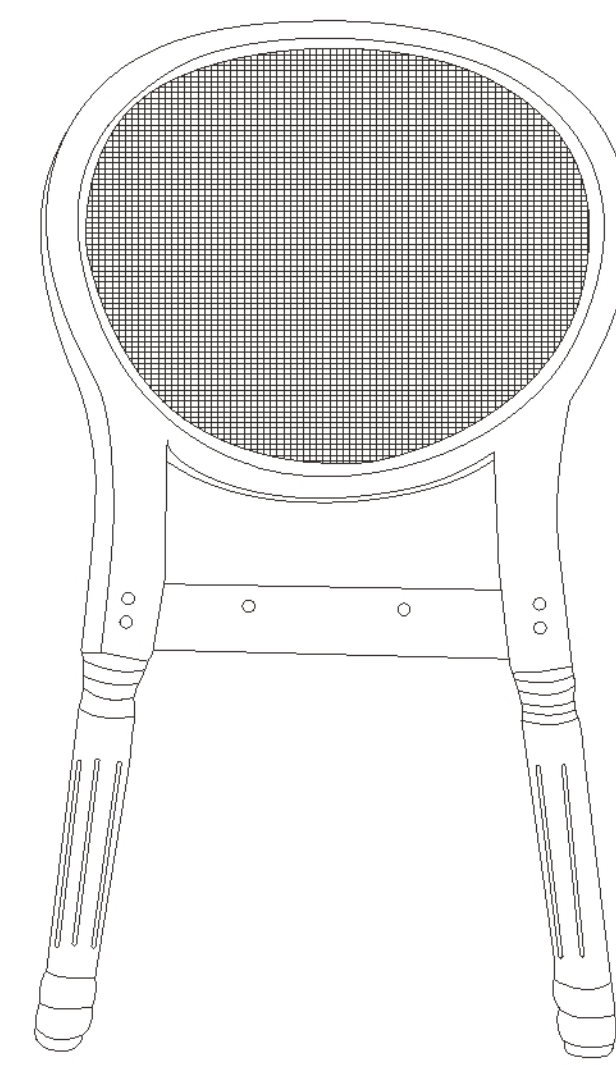


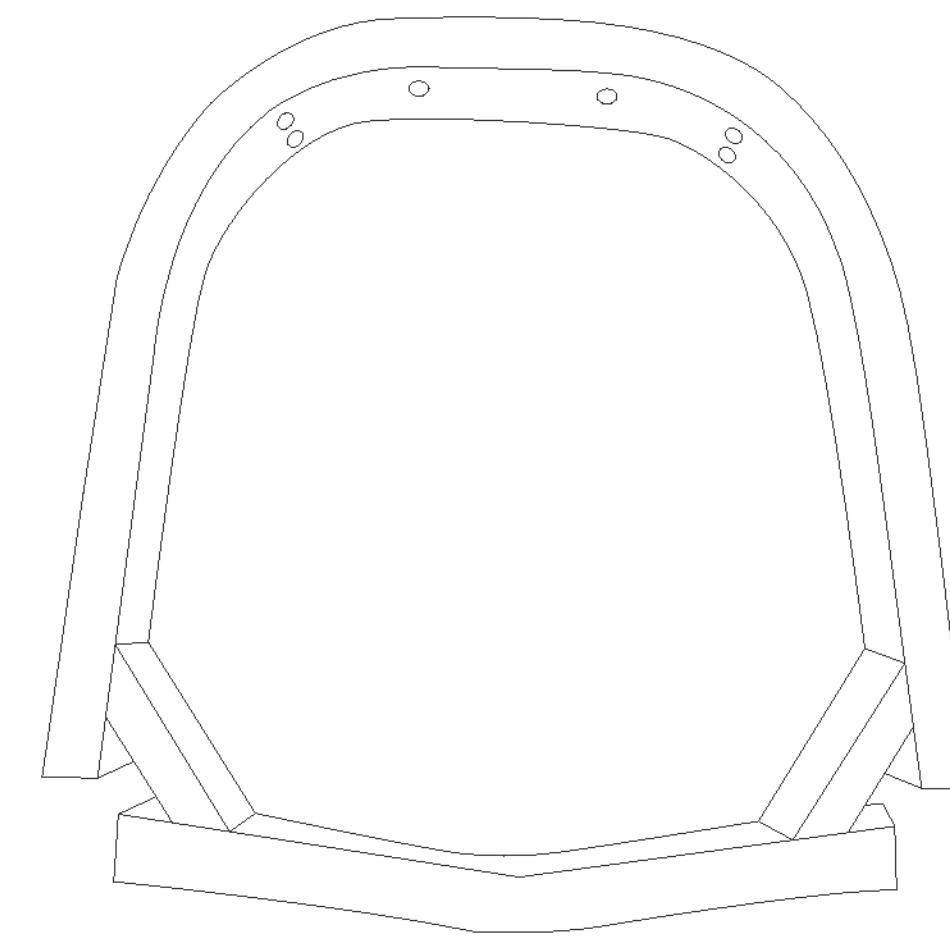
Parts List



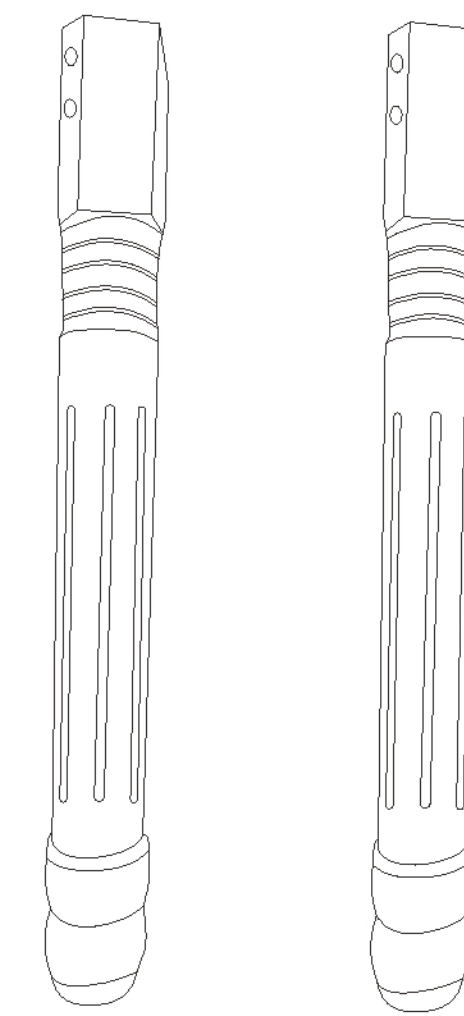
Chair finished drawing



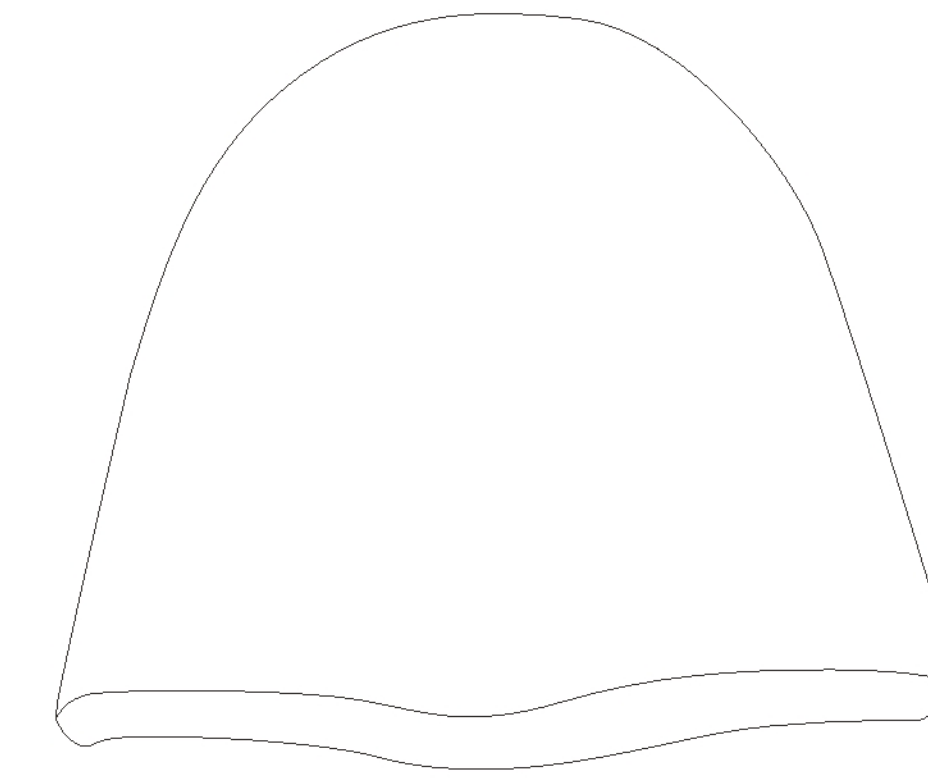
One Back



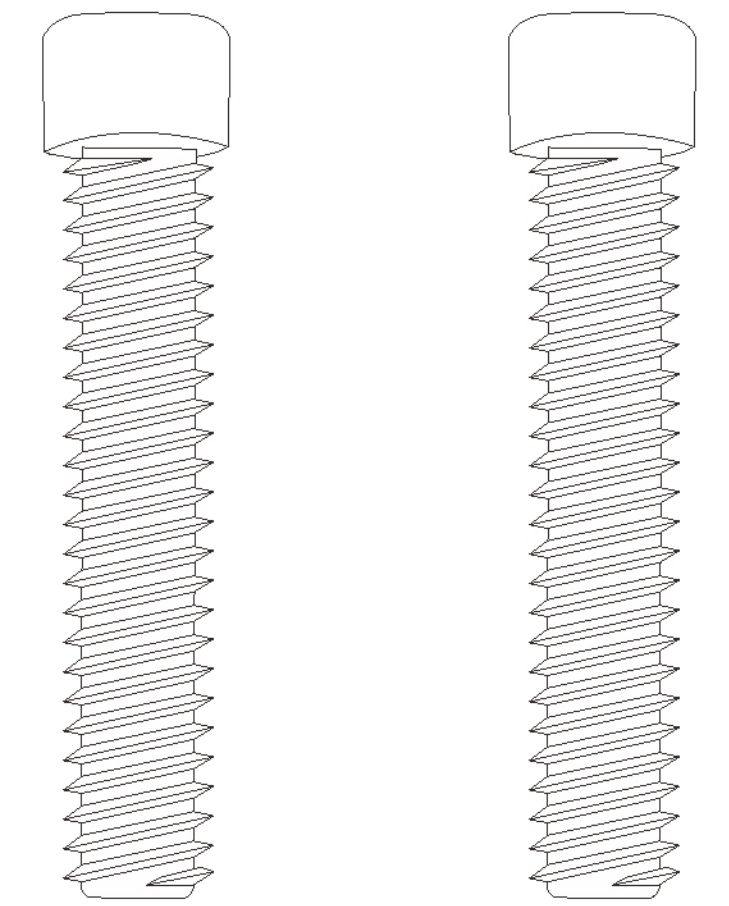
One Seat



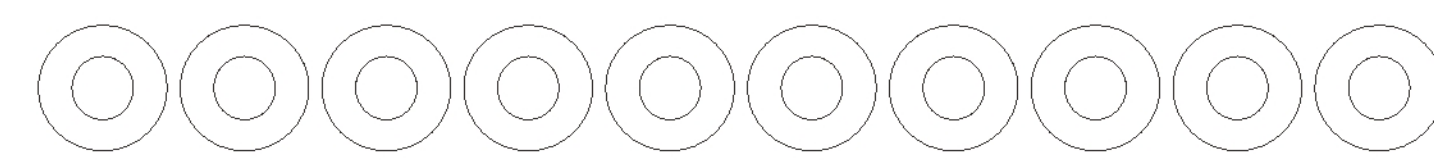
2 front legs



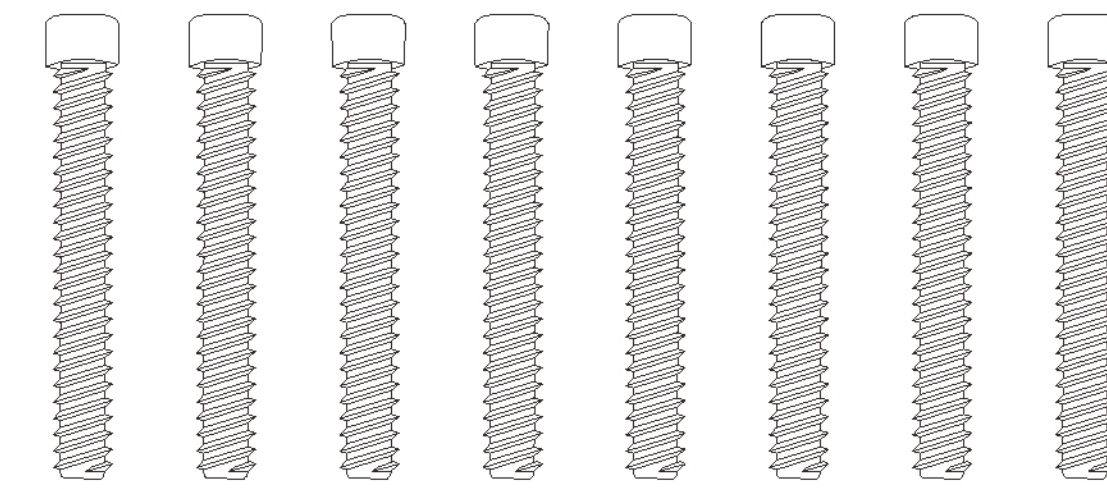
One Cushion



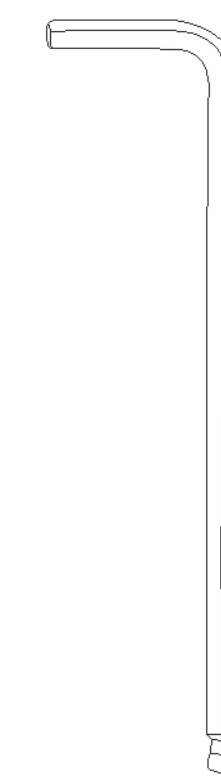
2pcs of M8x50 short screws



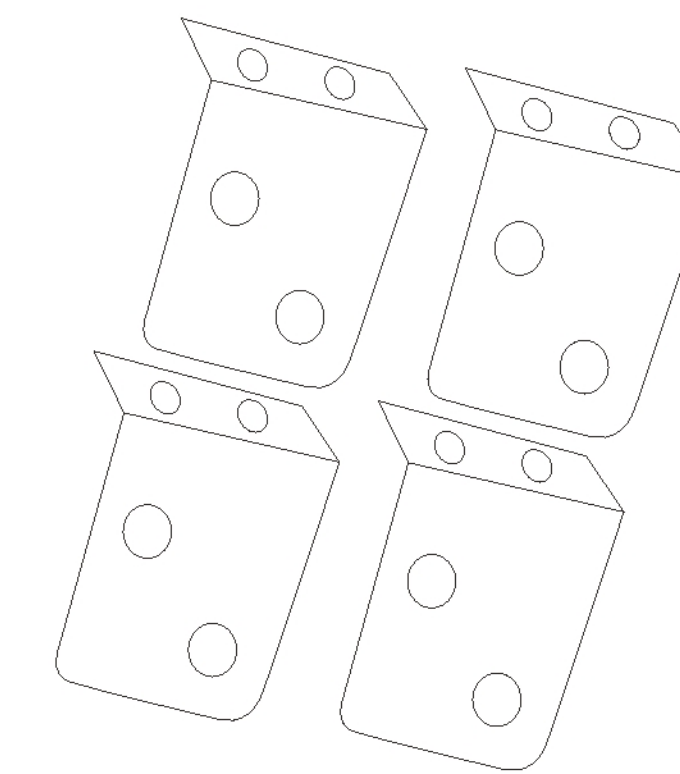
10pcs of ϕ 8x18x1 flat washers



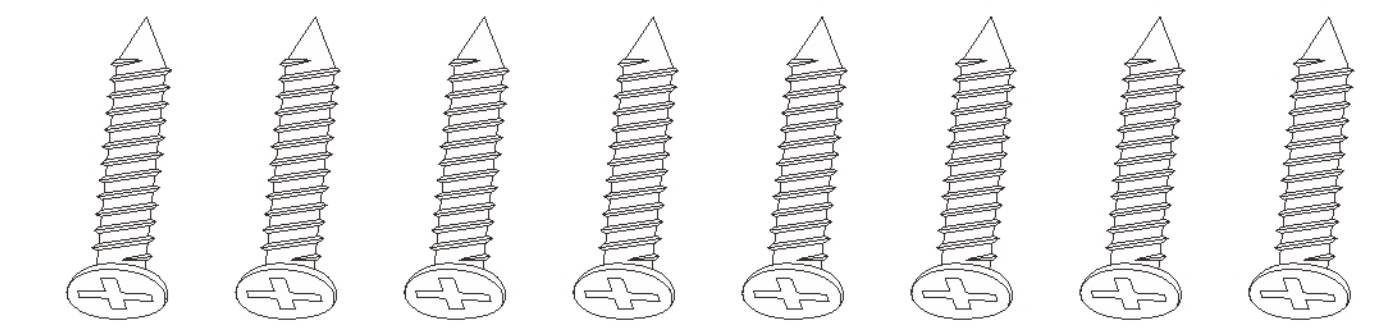
8 pcs of M8x60 long screws



1 pc Tool wrench

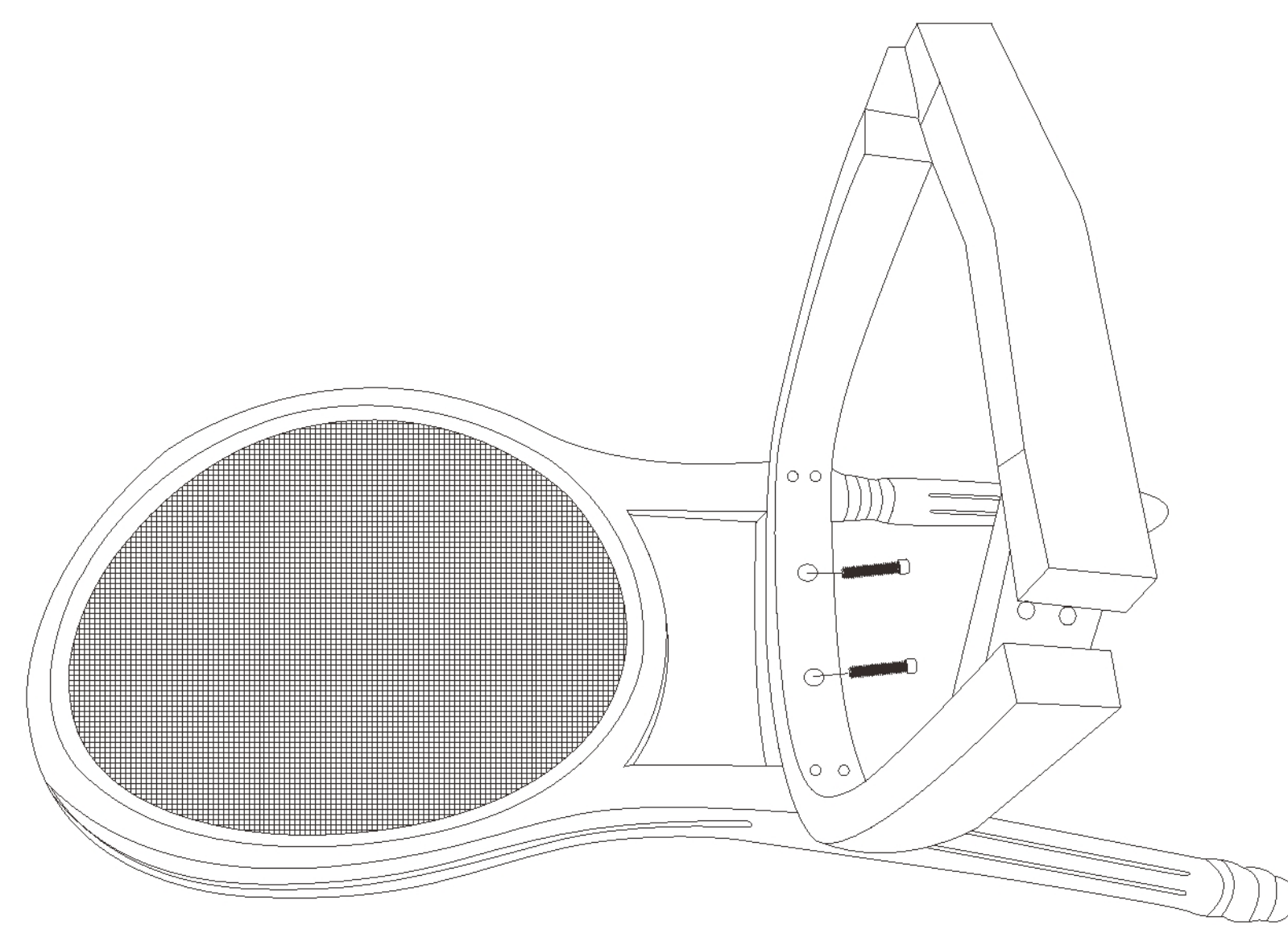


4pcs of "L" angle irons

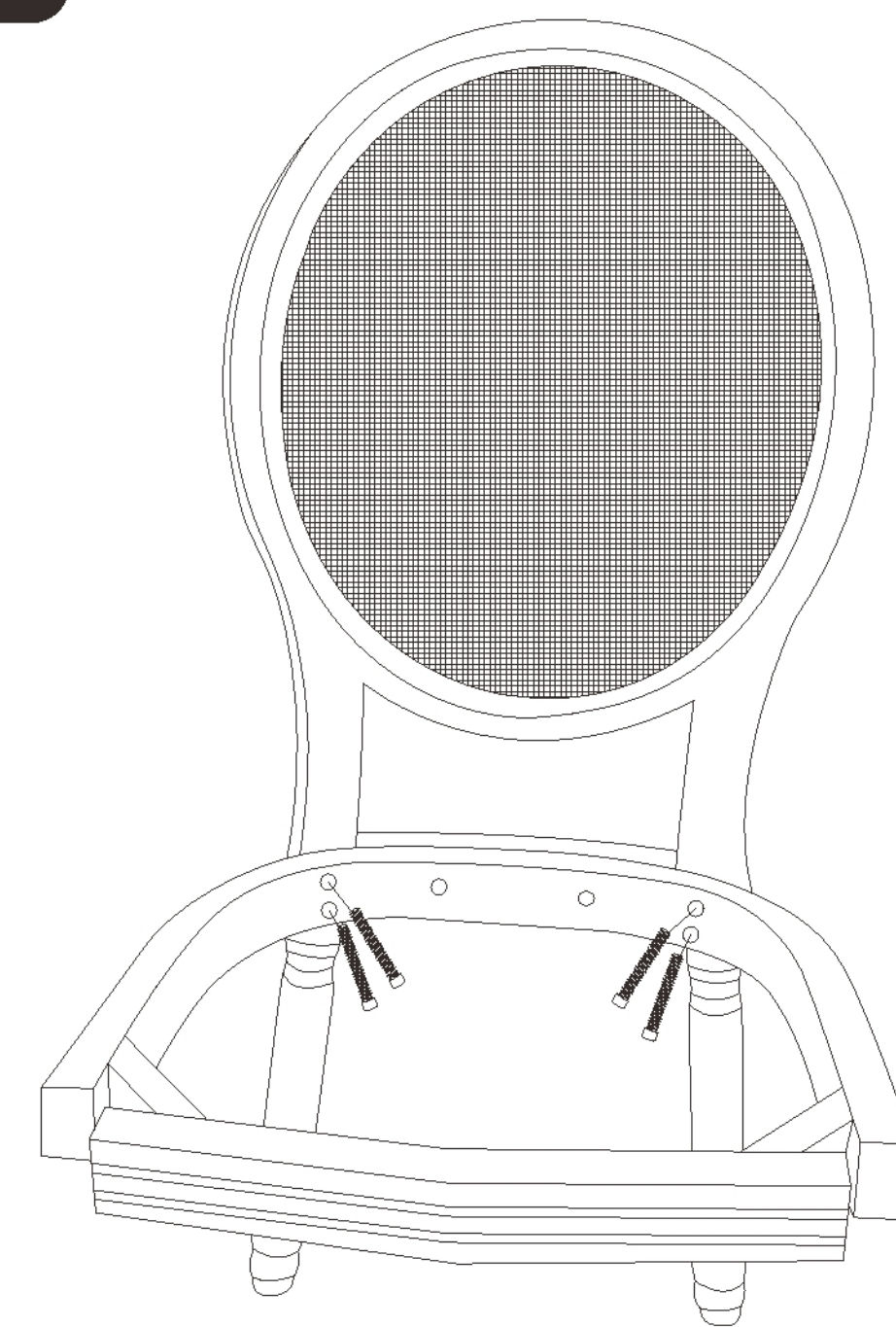


8pcs of self-tapping screws

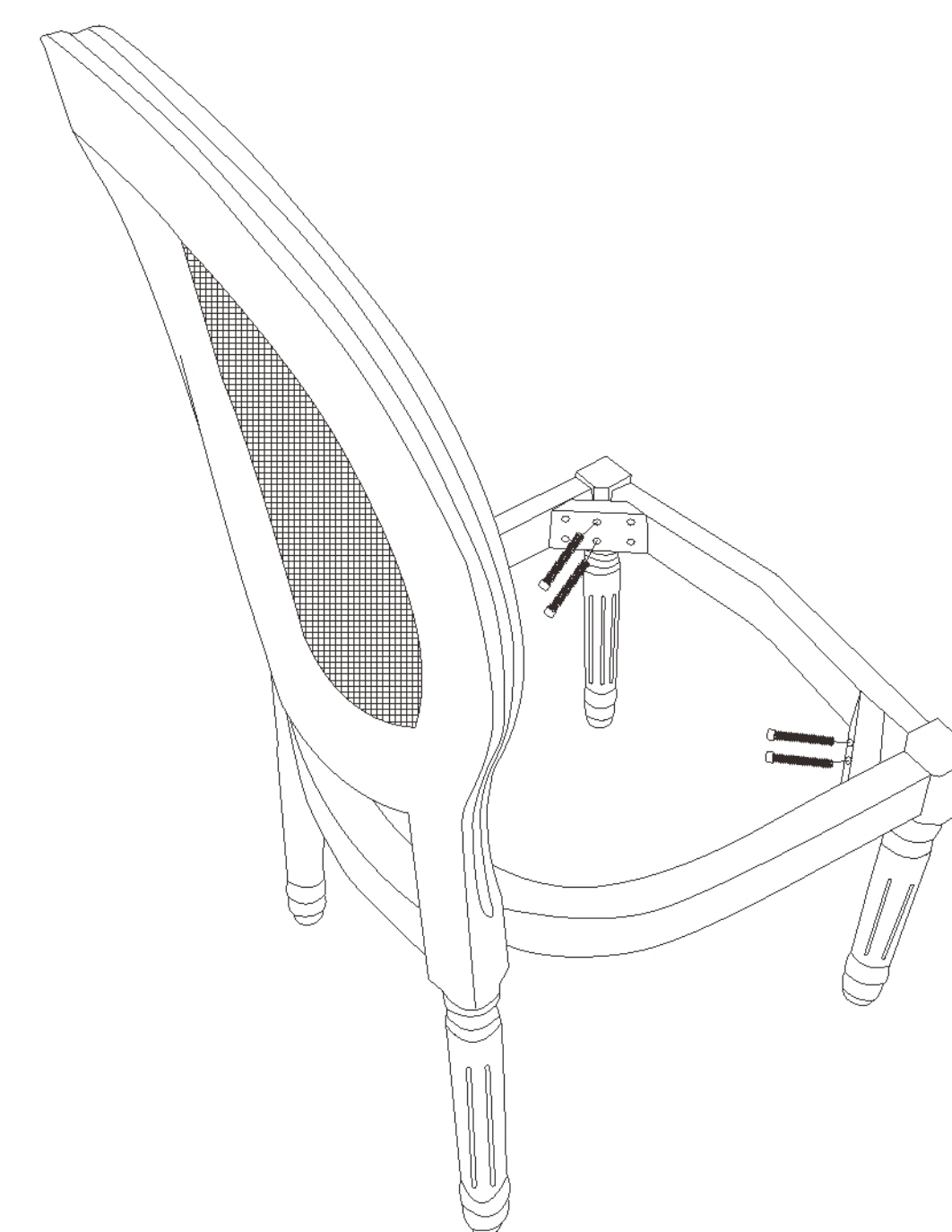
Assembly procedure



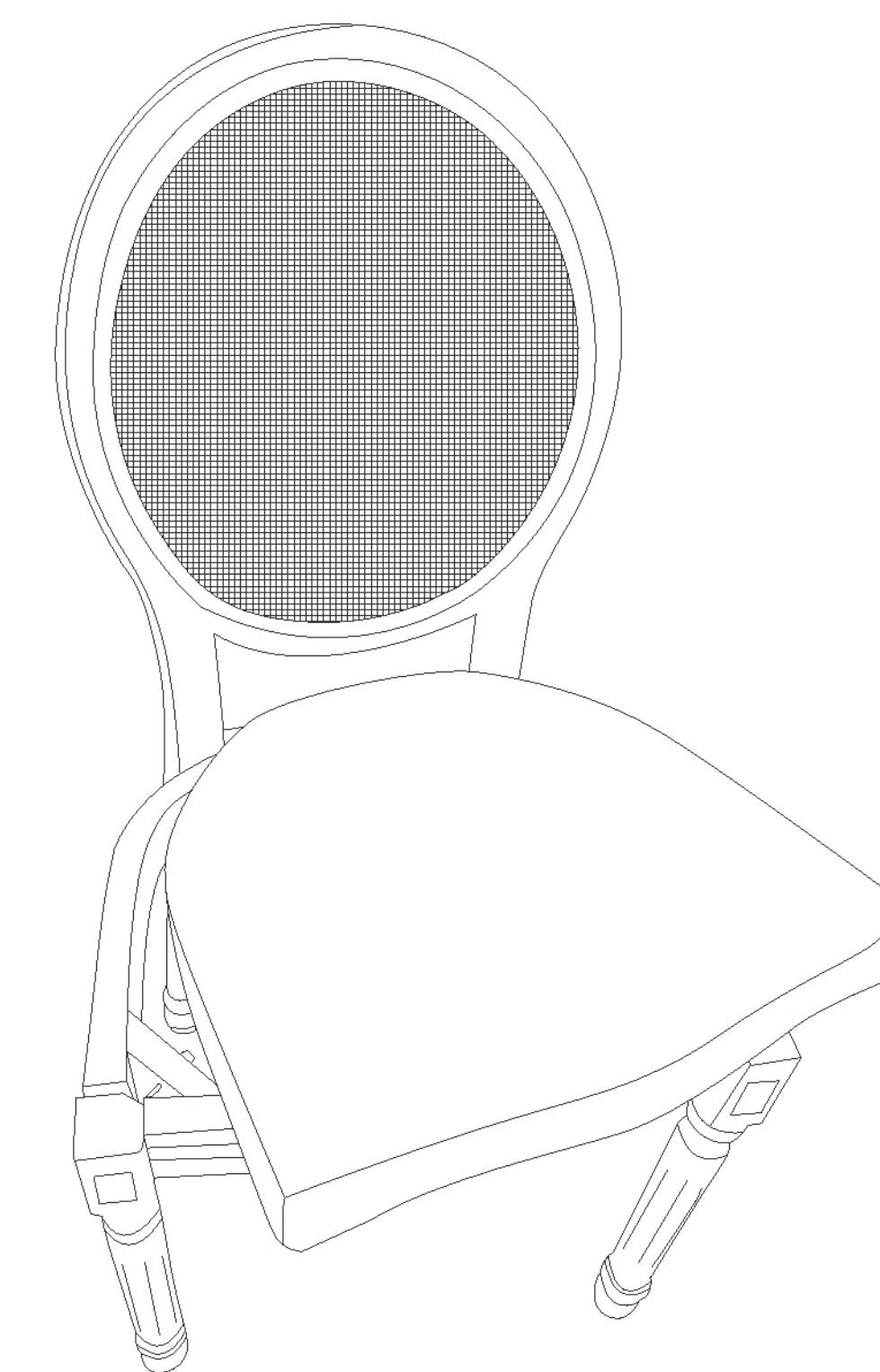
Step 1: Fix the two round holes in the middle of the back and the two round holes in the middle of the seat ring with two M8x50 short screws and two flat washers



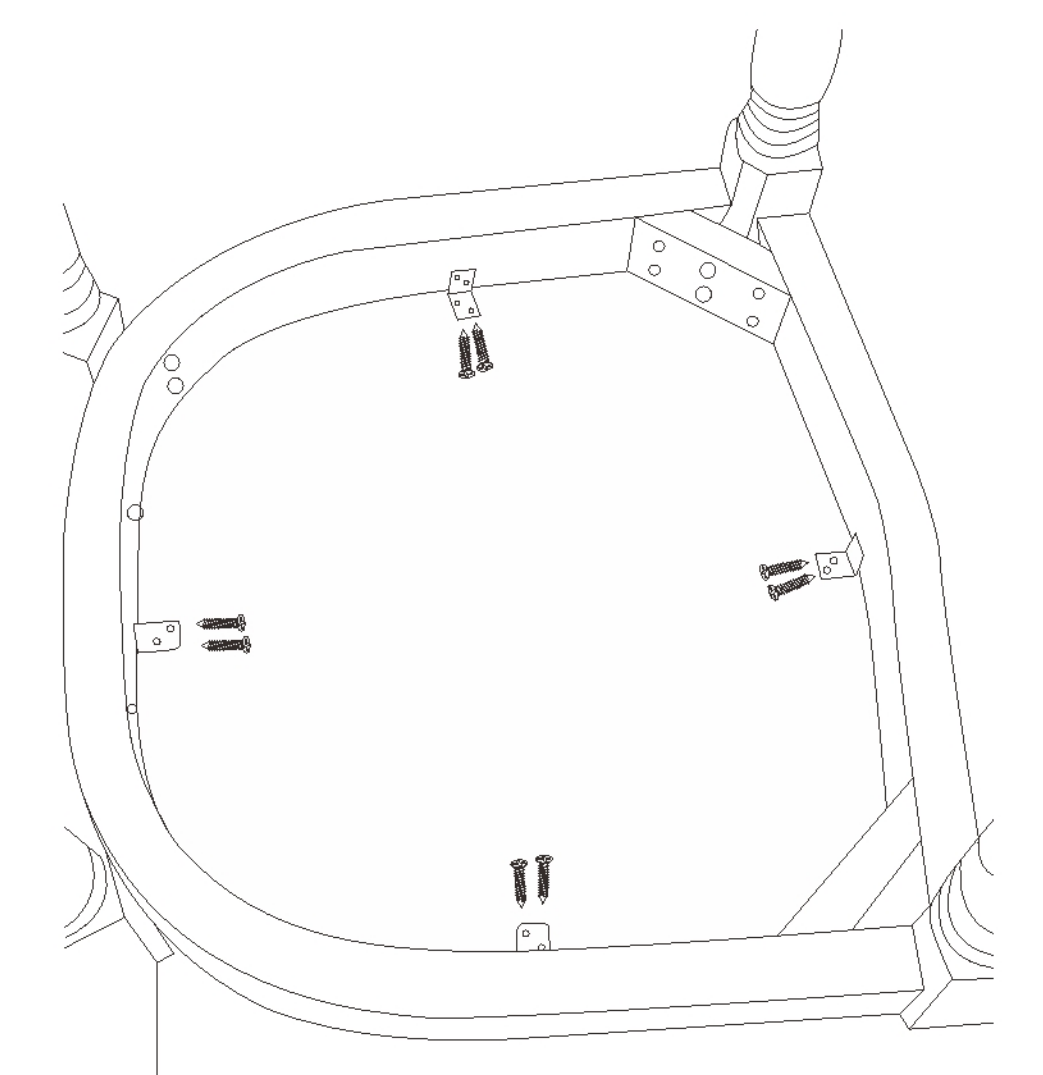
Step 2: Fix the four round holes on the two legs of the back and the four round holes on both sides of the seat ring with 4 M8x60 long screws and 4 flat washers



Step 3: Fix the four round holes of the two front legs with the four round holes in the front of the seat ring with 4 M8x60 long screws and 4 flat washers



Step 4: Clip the protruding tip of the seat cushion between the two legs of the back, and place the seat cushion flat on the seat ring to ensure that the buckle sticks firmly and does not fall off



Step 5: Stand the chair upside down, and fix the four sides with 4 "L" angle irons and 8 self-tapping screws on the back of the cushion.